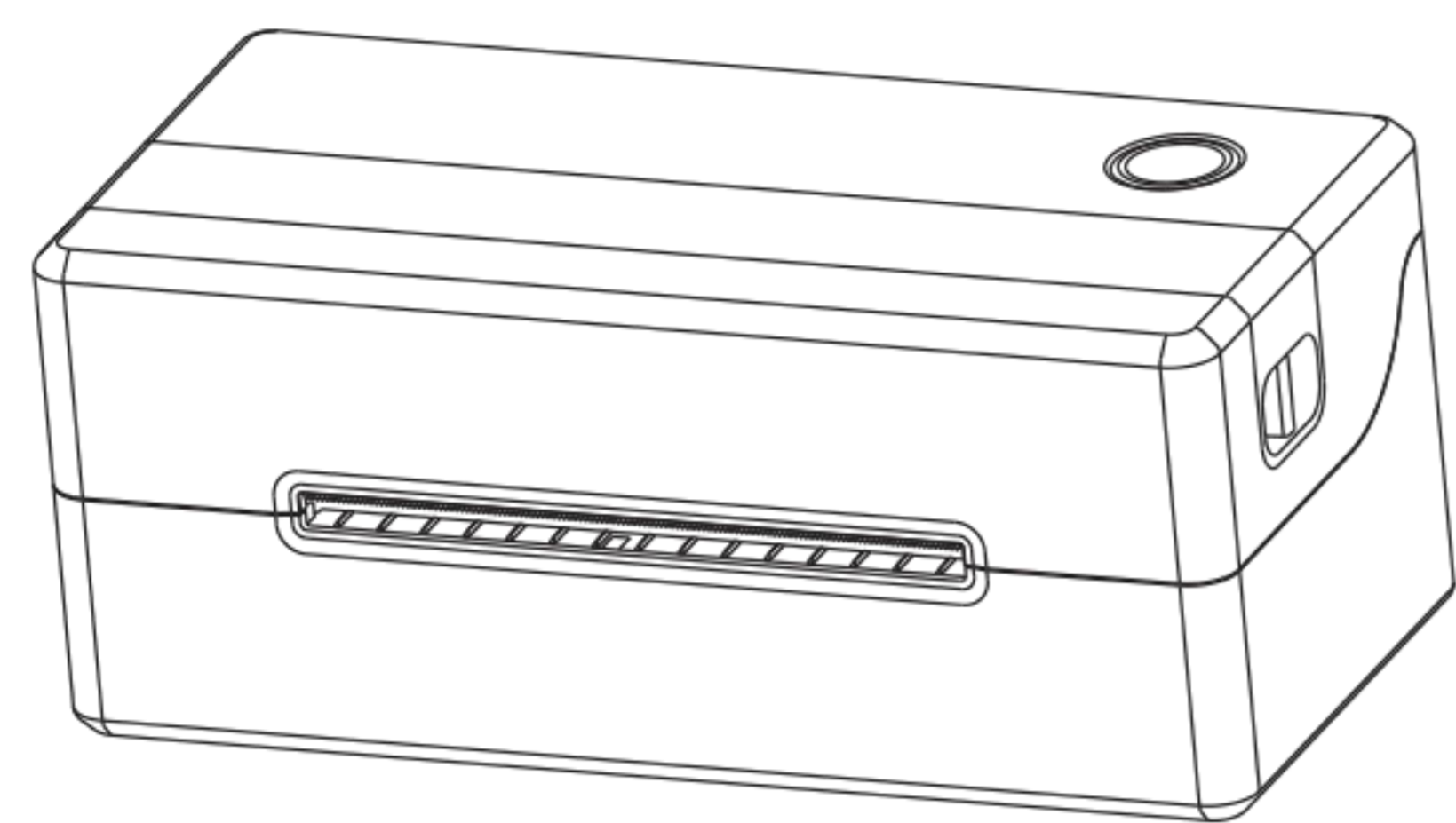


Desktop Label Printer

Quick Installation Guide

D1200CW



IOS



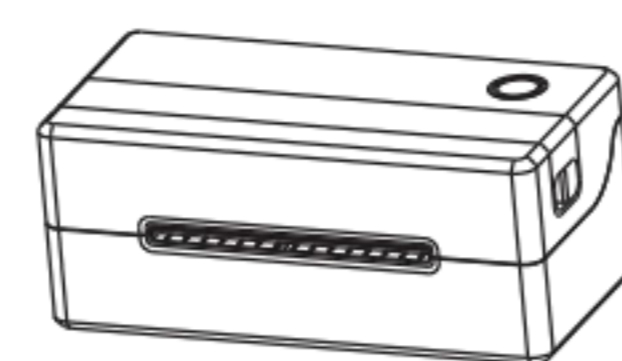
Android

You can scan the QR Code to download the APP or input 'Elabel' in App store to download the APP. You can download the driver from the website below:
<https://label.ggimage.com/>

V1.0

Opening-box List

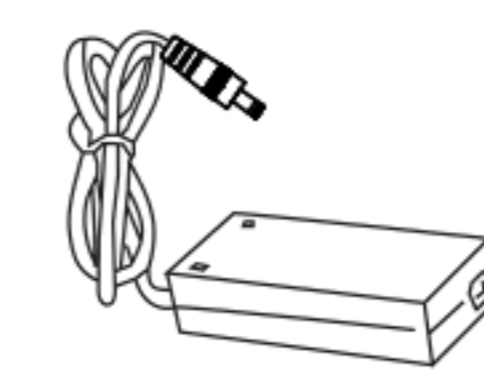
Standard Accessories



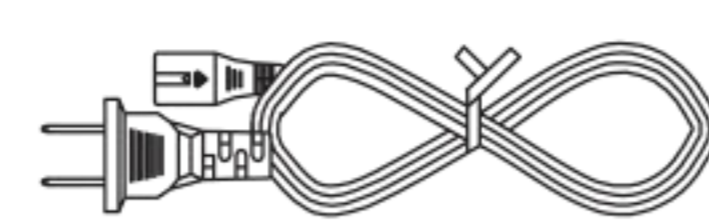
Main machine



USB cable



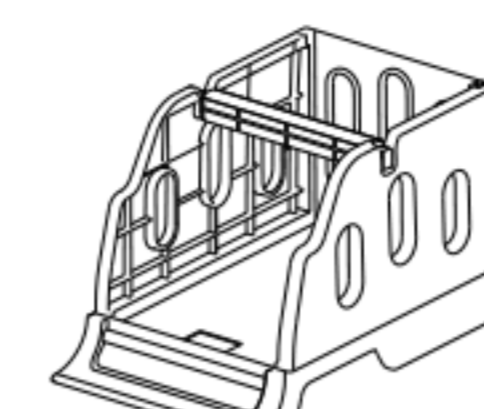
Power adapter



Power cord



Quick installation guide

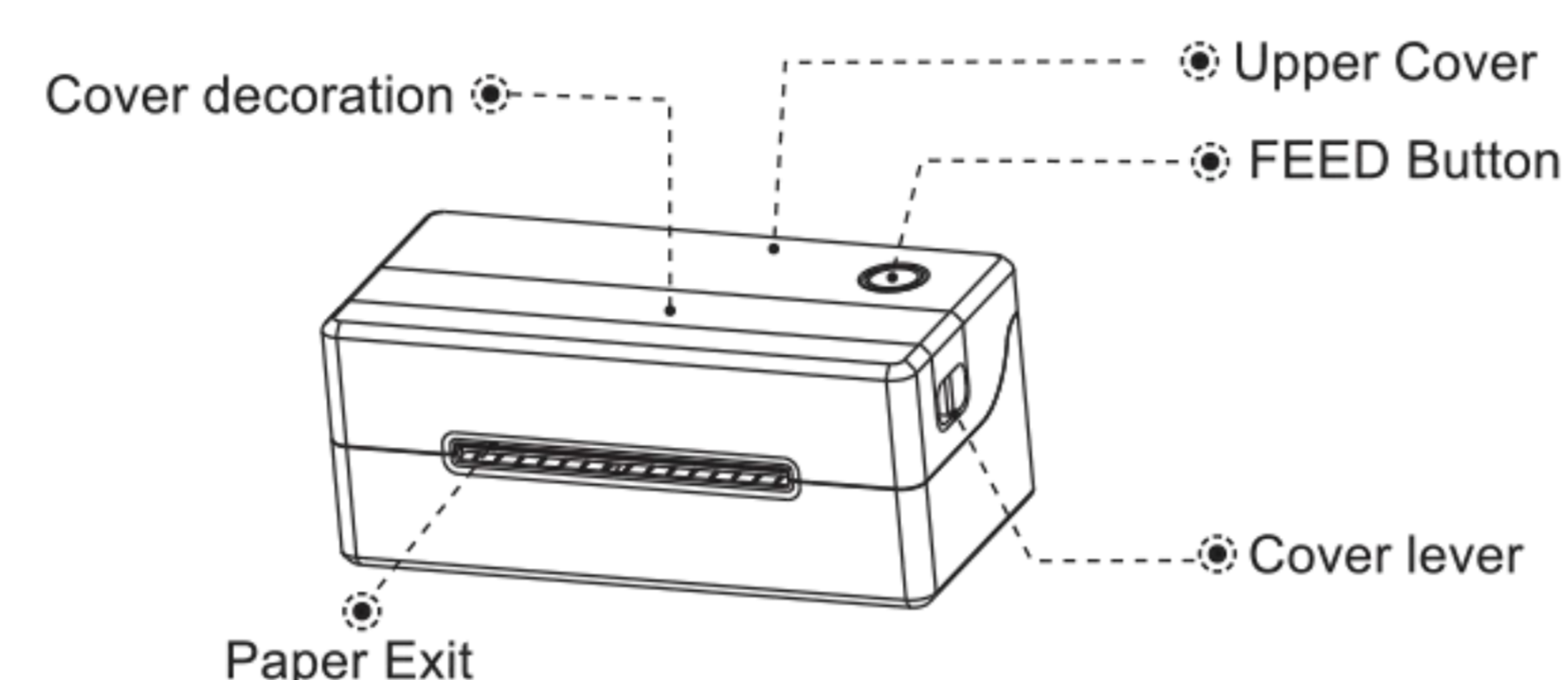


External paper support (optional)

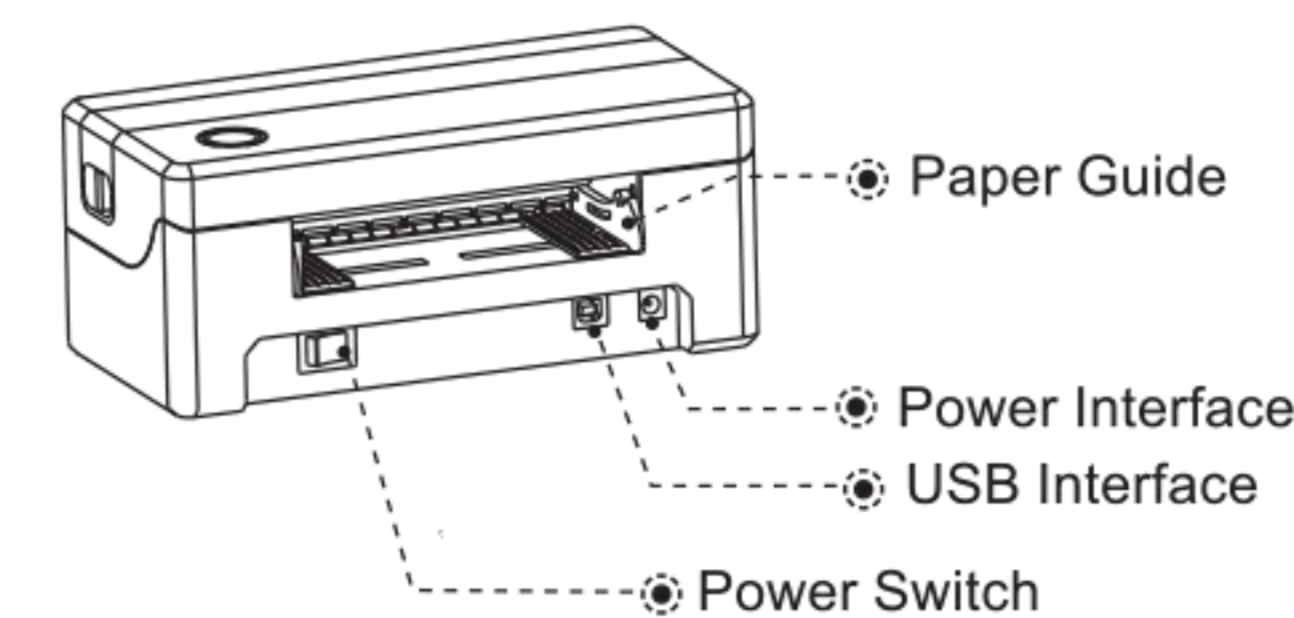
The pictures are for reference only, please subject to practicality.

Appearance and Components

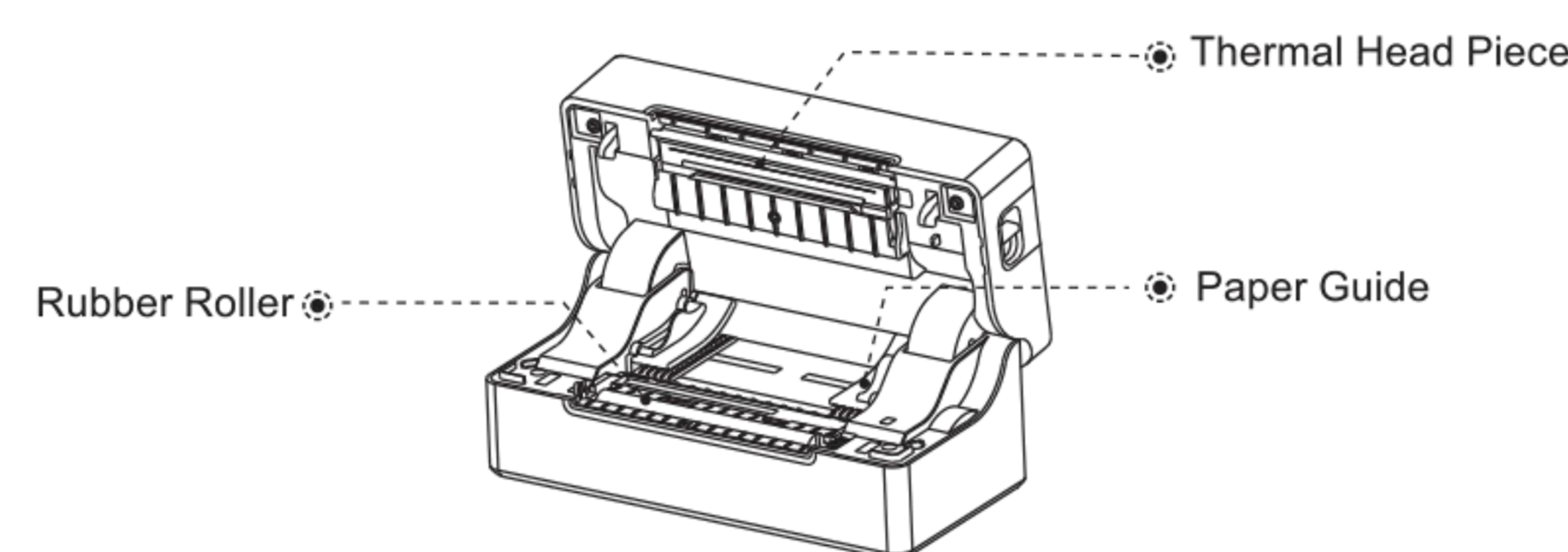
Front View



Rear View



Inner View



2

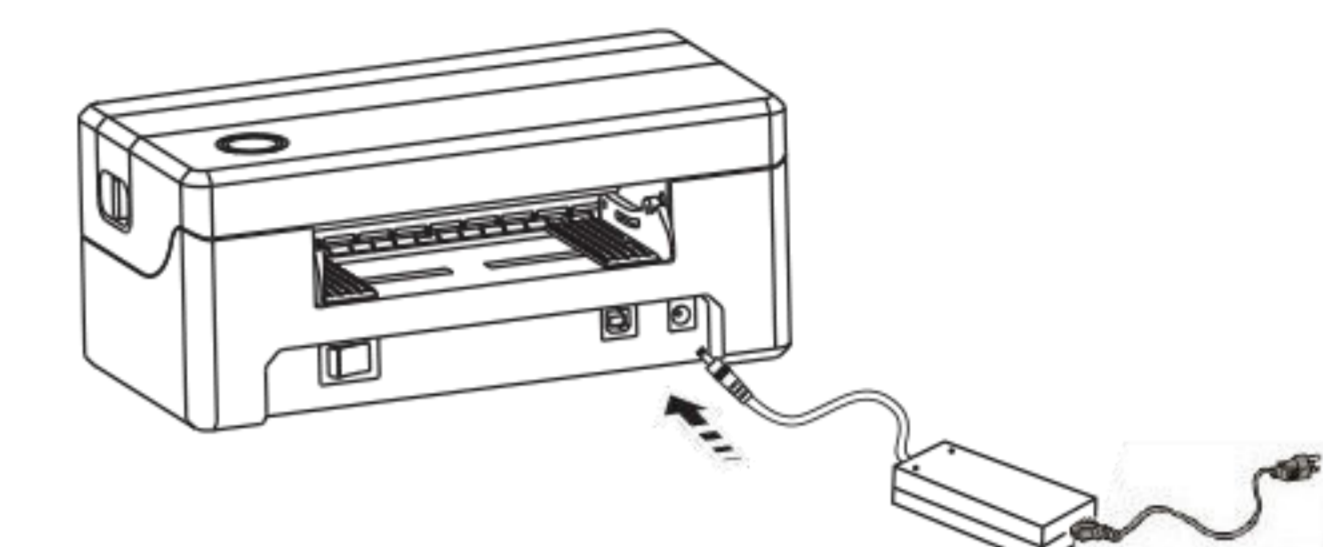
Preparations before usage

Startup & Shutdown/usage notices:

1. Adjust printer power supply switch to I status, namely open power supply switch;
2. Adjust printer power supply switch to O status, namely close power supply switch;
3. Must use power supply switch to close power supply. The printer internal circuit is easily broken if directly unplug power supply plug to close power supply, and caused lost of printing data;
4. It needs to wait for a moment (above 5 seconds) when reopen power supply after power supply closure, failure easily produced if immediately open power supply and not set aside a period of time;
5. Please use original power supply of the machine, otherwise it may cause printing quality reduction or printer damaged.

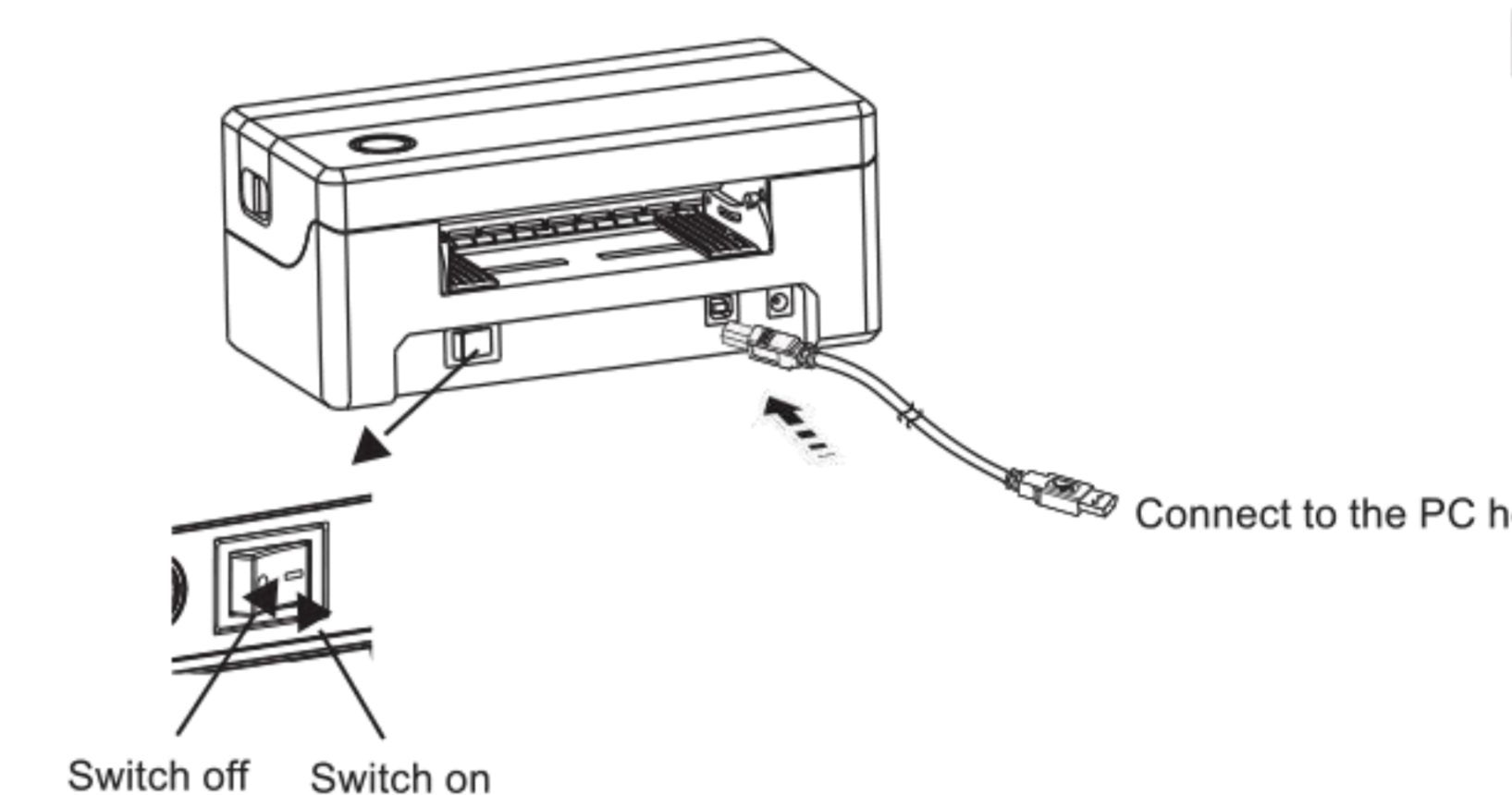
Cable Connection

Power Connection



- (1) Confirm that the power switch is in off (O) state.
- (2) Connect the power adapter to the printer.
- (3) Connect the power line to the power adapter.
- (4) Connect the other end of the power line to a nearby socket.

USB Connection



- (1) Connect the USB cable to the printer.
- (2) Connect the USB cable to the PC host.
- (3) Turn the power switch to on (I) state.

3

Bluetooth pairing and printing (only valid for printers with Bluetooth)

The Bluetooth printer needs to be paired with the main device driving the printer before working, and the pairing process is initiated by the main device.

When pairing, the printer with Bluetooth interface must be on.

The general pairing method is as follows:

- (1) Turn on the printer.
- (2) The main device searches for external Bluetooth device.
- (3) If there are multiple external Bluetooth device, select the printer corresponding to Bluetooth MAC address (see self-test page for details).
- (4) Enter the initial password "0000" or "1234".
- (5) Complete the pairing.

After successful pairing, other host computers can still be paired with the printer, and each printer can be paired with up to 8 host computers. If more upper computers are paired with printers, the host computer paired with the printer at the earliest will be automatically removed from the pairing list by the printer. At this time, if this host computer needs to drive the printer for printing, it needs to be paired again.

(For multi-connected Bluetooth only)

⚠ Note: During pairing, please do not turn on multiple printers at the same time, otherwise you may not be able to judge which printer was successfully paired.

Printer usage tips:

- Please use original power adapter in order to guarantee printer best printing quality;
- Regularly or clean printing head piece under unclear case could guarantee high quality printing effect;
- Suggest to carry out "label automatic intelligence study" when replace paper specification (including paper thickness, quality) each time;
- Avoid to use poor quality paper, and poor quality paper only caused extremely damage to printer and printer heating damage;
- The product with automatic paper absorbing functions, please use rear end absorbing paper way to load paper, and uncover loading paper could cause paper waste;
- If used paper with poor quality, and the heating piece has been confirmed to confirm, appropriately improve printing density by driver if it is unable to meet printing effect.

4

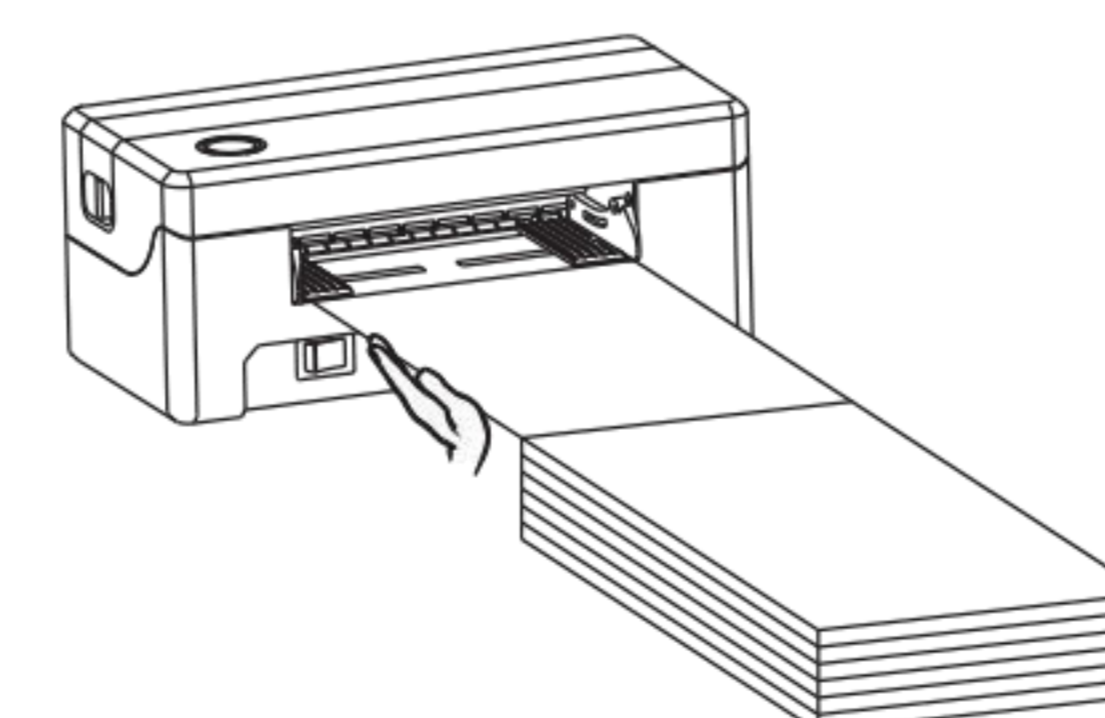
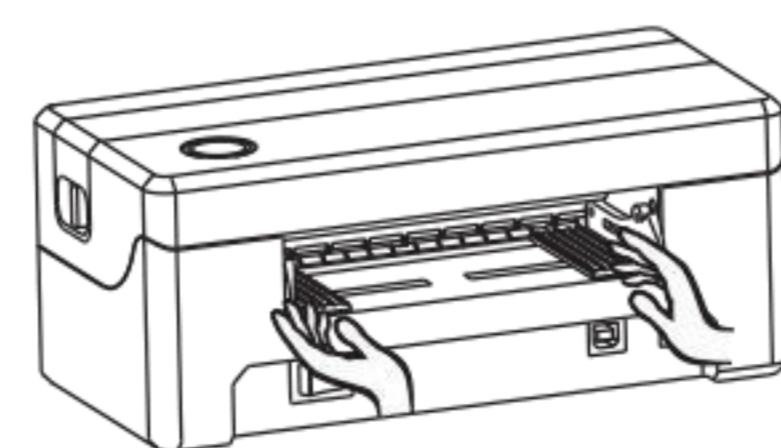
Button function setting

It could carry out simple operation to the printer by the button.

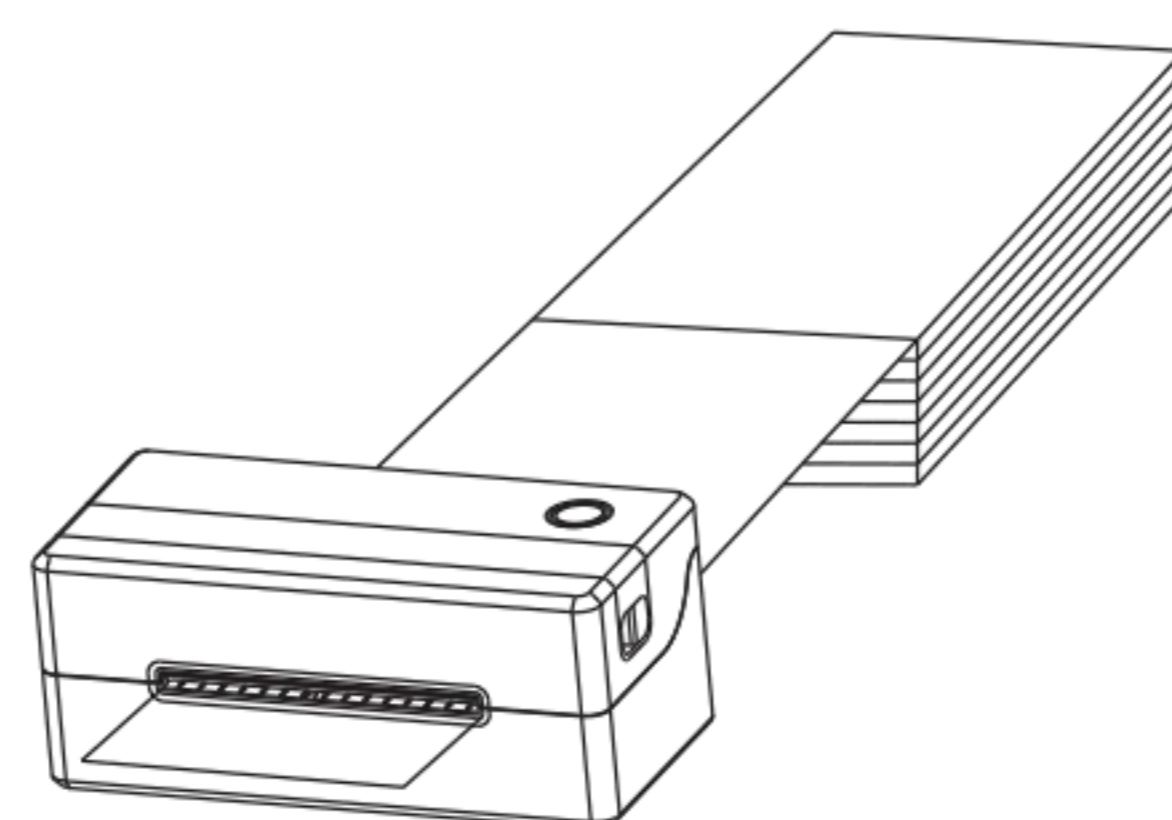
Scenarios	Button operation	Corresponding functions
Power Off	Press and hold + turn on the printer	Print self-test page
Standby	Press and hold 3S	Enter label specification learning mode
Open the cover	Press and hold 10 S	Restore factory settings
Standby	Press	Automatically feed one blank label sheet
Continuous printing process	Press	Pause printing
Pause printing	Press	Continue printing

Folded paper installation

- (1) Facing the back of the machine, hold the paper guide with both hands, and adjust the distance between the left and right guides according to the folded paper size.
- (2) Insert the folded paper into the paper guide



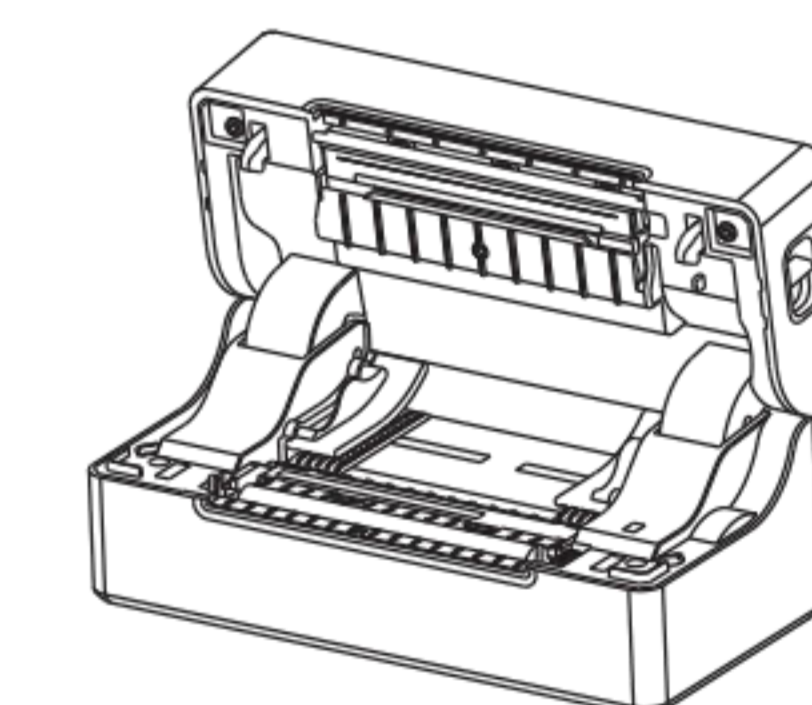
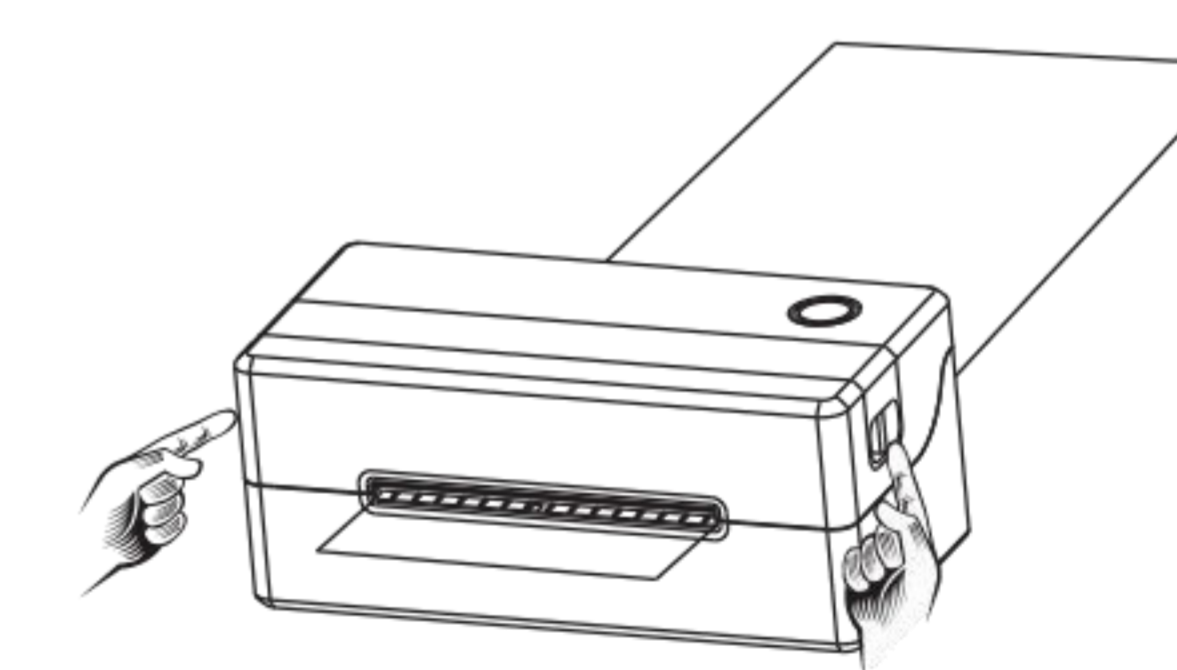
- (3) Confirm that the printer has detected paper feeding, automatically feeds paper and delivers paper normally



5

Solution for stuck paper

- (1) Move the top cover lever forward with both hands and lift the top cover.
- (2) Remove the jammed paper from the feeding channel, and check whether the print head has adhesive or carbon deposition. If yes, clean it with an alcohol cloth, remove the wrinkled paper and replace it with new paper.



Indicator light status description

Indicator status	Status description	
Indicator always lights up	Normal standby	
Indicator flashes	Buzzer alarm	
Buzzer alarm (common)	2 Sounds	Printer mechanism error
	3 Sounds	Paper shortage error
	5 Sounds	Overheating error
	6 Sounds	Cover opening error
	7 Sounds	Seam label error

6