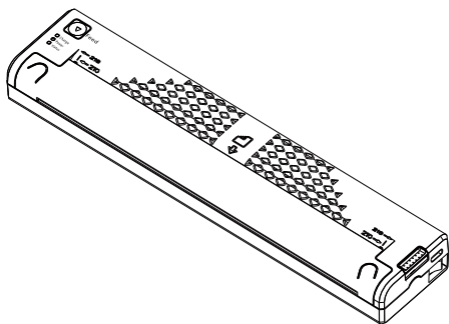
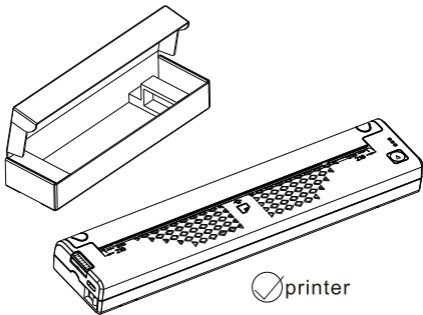


User Manual

A4 Thermal paper printer



1.Packing Instruction



printer

TYPE-C
USB Cable



Banded pocket



A4 Paper

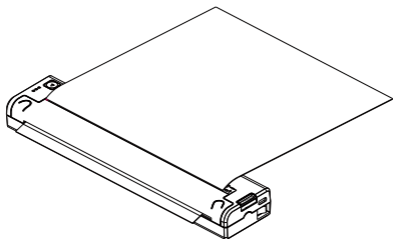


User Manual and
warranty card

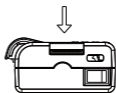


2. Operating Instructions

1.1 Paper Feed

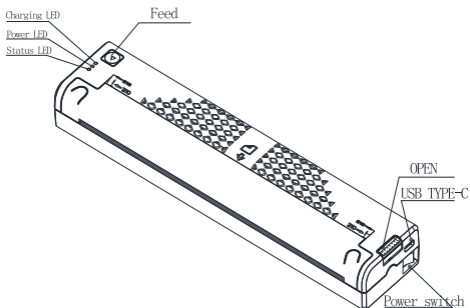


1.2. Exception Handling & Daily Cleaning



Push the bottom and open the cover to keep an angle.

3.Key Functions



Power LED: High battery show green; Medium battery show red; Low battery show flashing red

Charging LED: LED is on when recharging; LED is off when fully charged.

Status LED: LED is off when printer is in a normal state (placed paper, pressed cover down).

LED flash red when the printer is in an error state (out of paper or cover opened)

Feed button: Short press to feed shortly. Press and hold for 3 seconds, feed out A4 paper.

Cover open button: Open cover for cleaning TPH and removing paper jam.

Power switch: press "-" to power on. Please turn off power after use.

4.APP print

4.1.App Download

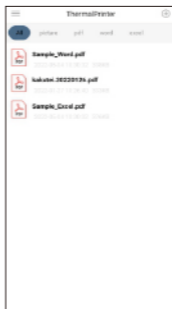


Search "Thermal Printer" in Apple Store or Google play

4.2.APP Operation



1 Download and install



2 Tap on the top "Thermal Printer"

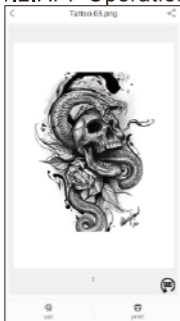


3 Tap available Bluetooth devices "GG-D2100-XXXX"



4 Select the document. type.Photo, PDF, Word, Excel,supported

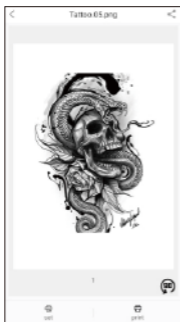
4.2.APP Operation



- ⑤ Select document and set the page range. Chik "set".



- ⑥ Tap preview area



- ⑦ Tap "print".



- ⑧ Printing.....

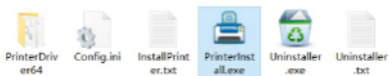
5.PC Print(Windows7/8/10)

5.1.Driver download

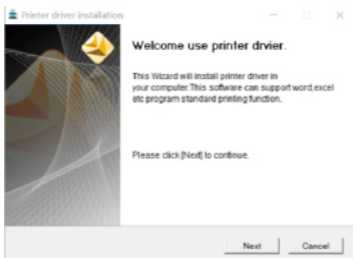
5.1.1.Link: <http://driver.thermalprinter.cc/thermalprinter-driver/ThermalPrinter-08DriverX64DPI200.rar> a

5.2.Driver installation

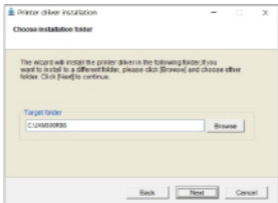
5.2.1.Connect the Printer machine to PC via USB cable.



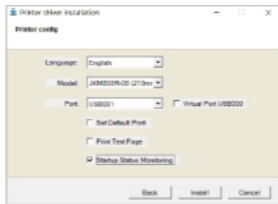
5.2.2.Double click "Printerlhstall.exe".



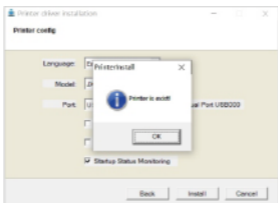
5.2.3.Click "next".



5.2.4. Select the installation path.



5.2.5. Select "Startup Status Monitoring" and "Port", then click "Install"



5.2.6. complete

5.2.7. Printer name "Thermal Printer-08"

6. Announcements

- If there is smoke, abnormal smell, or abnormal noise, turn off the power immediately. Continued to use may cause fire. You should unplug it immediately and contact the seller for advice.
- Do not attempt to repair the machine by yourself to avoid other faults.
- Do not disassemble or correct by yourself. Avoid damage to the machine or cause fire.
- Do not use a power supply that is not configured by the producers to avoid faults.
- Prevent foreign matter from falling into the machine, so as not to cause fire.
- If liquid flow into the machine, unplug it immediately, and contact the seller to find a solution, continued to use may cause fire.
- Do not use cables that are not configured by the company.
- Different connection methods may damage the machine.
- Place the machine on a firm, stable platform to avoid falling damage.
- Do not use the machine in damp and dusty places, pay attention to moisture proof.
- Please turn off the power when not in use for a long time.

7. The warranty and maintenance

The company guarantees that the product can play its superior performance under normal use and maintenance, and the company also provides a one-year warranty service.

maintenance

The maintenance of this product should be carried out by professionals with certain maintenance experience.

Please do not change components without authorization during maintenance, Damage to drive board caused by unauthorized maintenance is not within the scope of warranty.

Warranty

Warranty period: the customers buy the machine from the company, have warranty period of one year calculated from the date of shipment. During the warranty period, the following conditions will not enjoy free service.

A. The driver board is damaged due to improper operation.

B. Damage caused by customer's own maintenance and transformation.

C. Damage caused by non-compliance with machine operating conditions.

D. Damage caused by natural disasters.

Certificate of approval

product model Numbers: _____

The date of production: _____

inspector: _____

Product warranty card

User name: _____

Purchase date: _____

Address: _____

Postal code / ZIP code: _____
