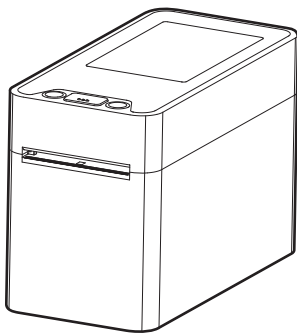


Quick Installation Guide

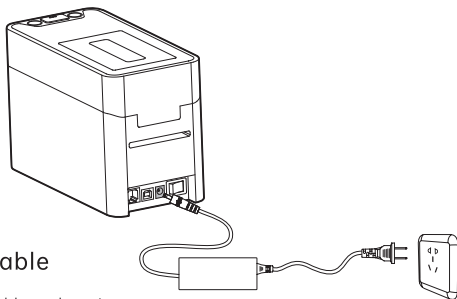
Wristband printer



Connection cable

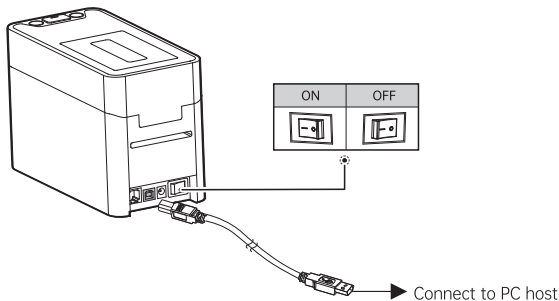
Connect the power cord

1. Make sure the power switch of the printer is in the "O" state;
2. Connect one end of the power cord to the printer;
3. Connect the other end of the power cord to a nearby socket;
4. Press the (Switch) button of the printer to turn on the printer.



Connect usb cable

1. Connect the USB cable to the printer;
2. Connect the USB cable to the PC host;
3. Turn the printer power switch to the ON (I) state.



Instructions for use of indicators / keys

Key function description

Press key	Functional description	Definition
Rocker switch	Power supply	When the "-" of the switch is pressed, the printer is turned on; when the "O" of the switch is pressed, the printer is turned off.
FEED key (Right)	Paper feed	Press the [FEED] key in standby mode to feed a label for non-continuous paper; When continuous paper feeds continuously, release the button to stop.
	Paper study	Press and hold the [FEED] key for 3 seconds in standby mode, and you will hear a beep. Release the [FEED] key and the printer will start paper learning.
	Self-test page	Press and hold the [FEED] key for 5 seconds in standby mode, and you will hear 2 beeps of "beep" and "beep". Release the [FEED] key and the printer will print a self-test page.
	Command switching	Press and hold the [FEED] key for 7 seconds in standby mode, you will hear 3 beeps, release the [FEED] key, the printer will switch between TSC/ZPL commands, and print a self-test page.
PAUSE key (left side)	PAUSE	Press the [PAUSE] key while printing is in progress, and the printer will pause the current printing process; When the [PAUSE] key is pressed again, the printer will continue the original printing task.
	Self-test page	After the printer is connected, press and hold the [FEED] key first and then turn on the printer. After about 3 seconds, the printer will start to feed the paper and print the self-test page.

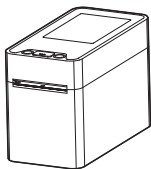
Indicator light description

Definition	Location	Describe
Power light (left side)	PAUSE key POWER key	After the printer is powered on, press the power button, the green light of the power light is always on; press the pause button during printing, the green light of the power light flashes;
Status light (Right)	FEED key	After the printer is turned on, the green light of the status light indicates that the printer is in normal state; the red light indicates that the printer is in an error state;

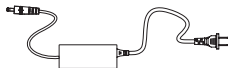
Buzzer description

LED Status	Buzzer status	Illustrate
The indicator light is green	The buzzer beeps once	The buzzer beeps once
The green light of the PAUSE key/POWER key flashes	/	Print pause
FEED button red light flashes 2 times	The buzzer beeps 2 times continuously	Movement error
FEED button red light flashes 3 times	The buzzer beeps 3 times continuously	Out of paper error
FEED button red light flashes 5 times	The buzzer beeps 5 times continuously	Overheating error
FEED button red light flashes 6 times	The buzzer beeps 6 times continuously	Uncap error
FEED button red light flashes 7 times	The buzzer beeps 7 times continuously	Seam error
FEED button red light flashes 8 times	The buzzer beeps 8 times continuously	Black mark error
FEED button red light flashes 9 times	The buzzer beeps 9 times continuously	SDRAM not checked
FEED button red light flashes 10 times	The buzzer beeps 10 times continuously	Serial FLASH not detected

Unpacking list



Printer



Power cable



Quick installation
guide



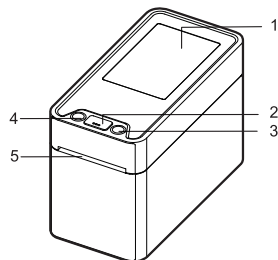
USB cable

Printer	1 Set	Power cable	1 Item
Quick installation guide	1 Piece	USB cable	1 Item

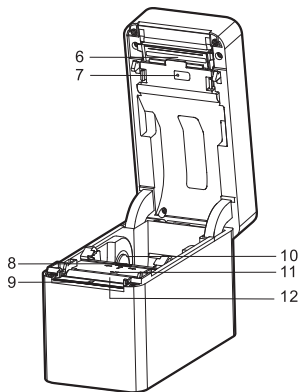
☺ The pictures are for reference only, please subject to practicality.

Product description

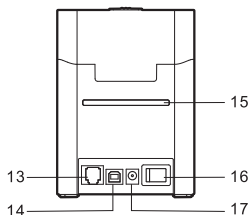
Front View



Internal View



Back View

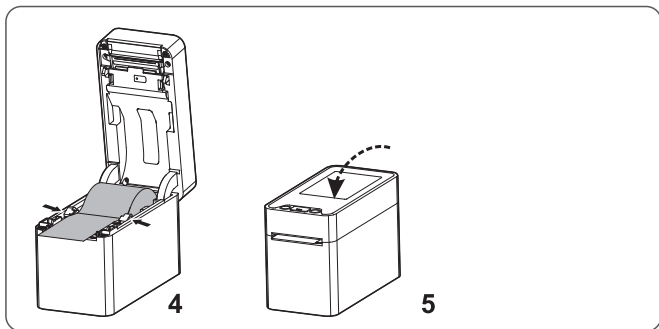
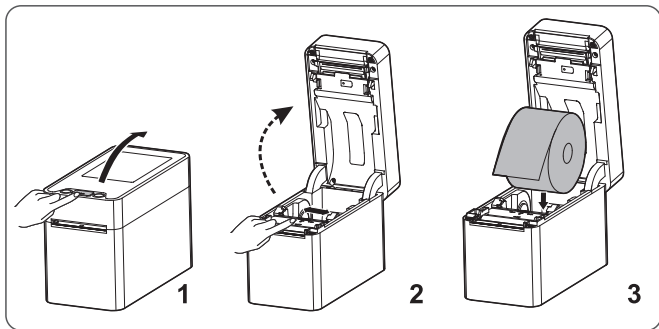


1. Paper viewing window
2. Button to open the cover
3. FEED button and indicator light
4. PAUSE key and indicator light
5. Paper tearing knife
6. Print heads
7. Through-beam optocoupler
8. Paper width adjustment buttons
9. Fallback optocoupler
10. Paper width adjustment block
11. Reflective optocoupler
12. Cots
13. Network interface
14. USB ports
15. Rear feed position
16. Switches
17. Power connector

Install consumables

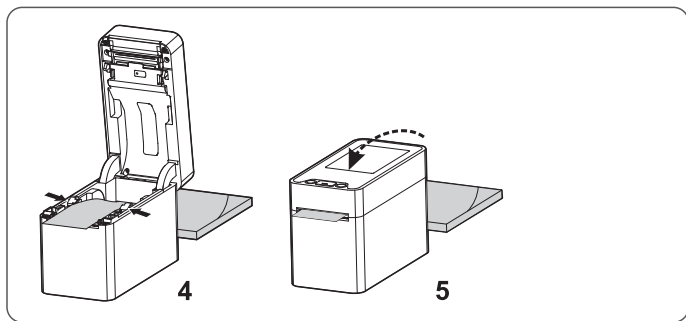
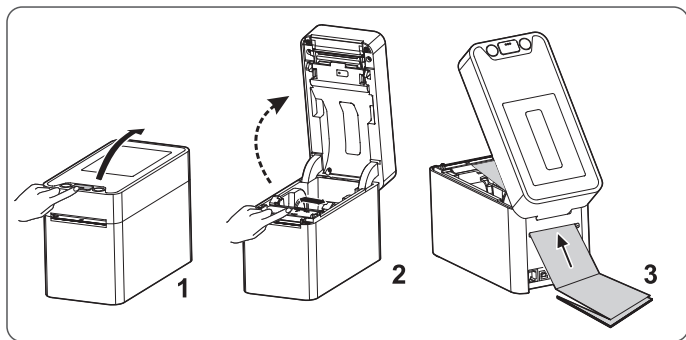
Roll installation

1. Press the cover open button to open the paper compartment cover;
2. Adjust the appropriate width by sliding the paper width adjustment button according to the paper width;
3. Load the paper roll with the printing side up;
4. Center the end of the paper on the platen roller and slightly beyond the paper outlet;



Folding paper installation

1. Press the cover open button to open the paper compartment cover;
2. Adjust the appropriate width by sliding the paper width adjustment button according to the paper width;
3. Rear paper inlet, load folded paper along the direction shown;
4. Center the end of the paper on the platen roller and slightly beyond the paper outlet;
5. Press down on the center of the top cover to close it, making sure it snaps into place.



- ☺ Remarks: 1. Paper width for printer: 20~60mm
2. Consumables support: wristband, label paper, folding paper, continuous paper, black label paper