

## Key Function Description

Button function	Function description
Press and hold the "Feed" button to turn on the machine, wait for the buzzer to sound 1 time and then release it	Print the self test page
Short press the "Feed" button after power on	Feeding a blank paper automatically
During continuous printing, press the "Feed" button briefly.	Print Pause
While printing is paused, press the "Feed" button briefly.	Resume Printing

### Attention:

- The interface and appearance of the printer may depend on the type of model you purchased. Please refer to the actual interface and appearance or contact the supplier.

## Warranty Card

### Warranty Instruction

Dear User:

Thank you for choosing our printer products, we provide efficient and high-quality warranty services for the products, please read the following terms carefully and pay attention to the relevant matters.

1. The user with the warranty card and purchase documents can enjoy the whole printer warranty service for one year from the date of purchase. During the warranty period, spare parts damage or printer error caused by quality problems can be replaced or repaired free of charge.

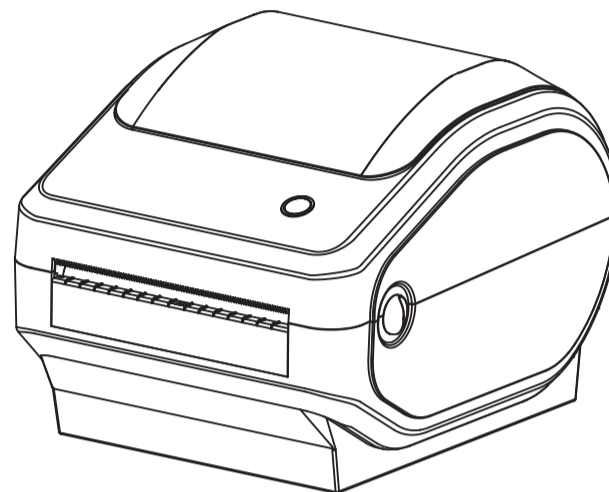
2. During the warranty period, if there are the following circumstances, you may not enjoy the warranty service:

- A. Damage or error caused by improper use of the user;
  - B. Damage or error caused by disassembly or maintenance by unauthorized companies or users;
  - C. Damage or error due to force majeure;
  - D. No warranty or purchase documents, purchase documents and products do not match or alter
3. Appropriate charges shall be charged for replacement or repair after the warranty period and for damage or error caused by the contents of Article 2 of this warranty instruction.

Warranty Card			
Product Model		Date of Manufacture	Year Month
Name		TEL	
Address			
Distributor Name		TEL	
Machine Error			

# Desktop Barcode Printer

## Quick Installation Guide

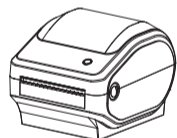


Download the driver & software from the website below:

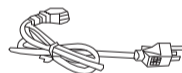
<https://tpl-label.com>

## Opening-box List

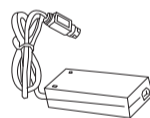
### Standard Accessories



Printer



Power Cord



Adapter

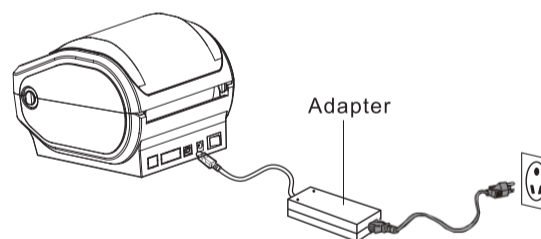


USB Line



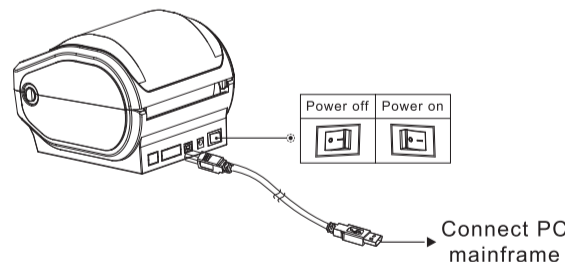
Quick installation guide

## Cable Connection



### Connect the power cable

1. Make sure the printer power switch is off;
2. Connect the adapter to the printer;
3. Connect the power cord to the adapter;
4. Connect the other end of the power cord to a nearby socket.

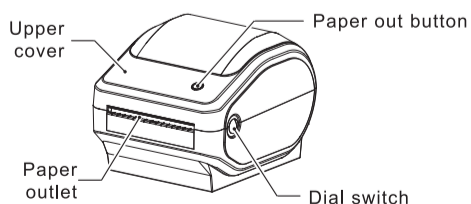


### USB Connection

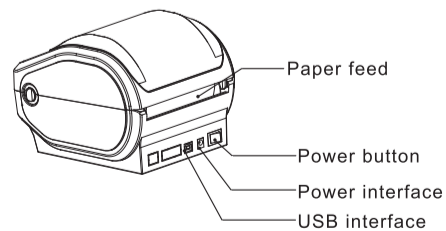
1. Connect USB to the printer;
2. Connect USB to the PC mainframe;
3. Turn on the printer power to be Power -on "—".

## Appearance and Components

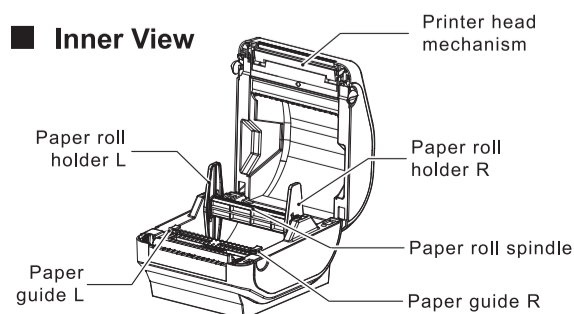
### Front View



### Rear View



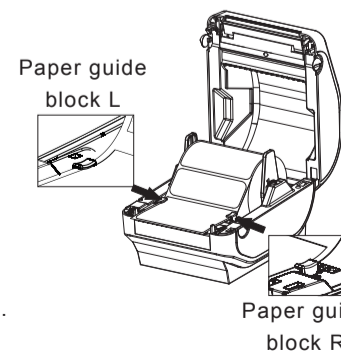
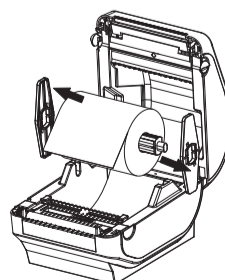
### Inner View



## Consumables Installation

### Inside-scroll Installation

1. Pass the front end of the paper roll through the paper guide slot and pull it out over the rubber rollers, closing the paper guide block according to the size of the paper width to fix the sides of the paper;



2. Close printer cover, press down to hear "ka" to lock.

